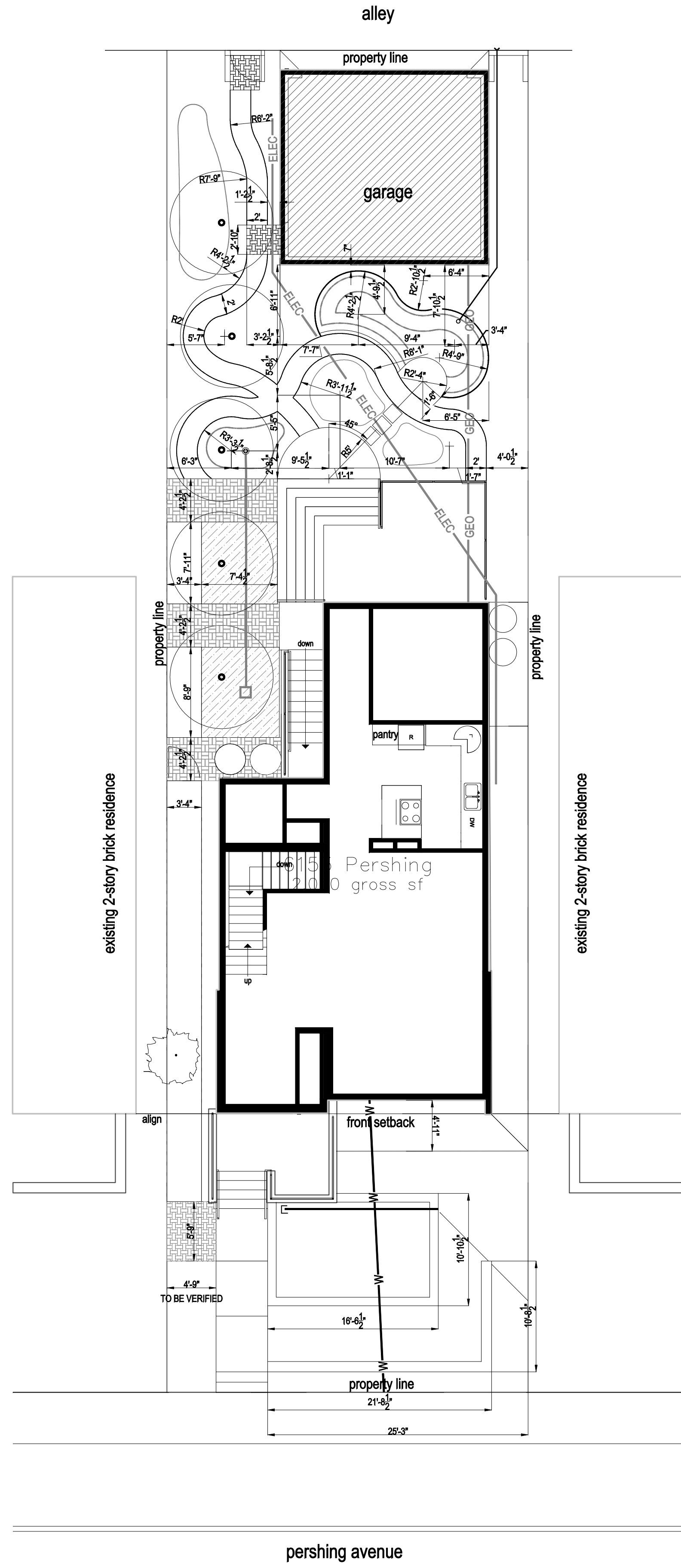
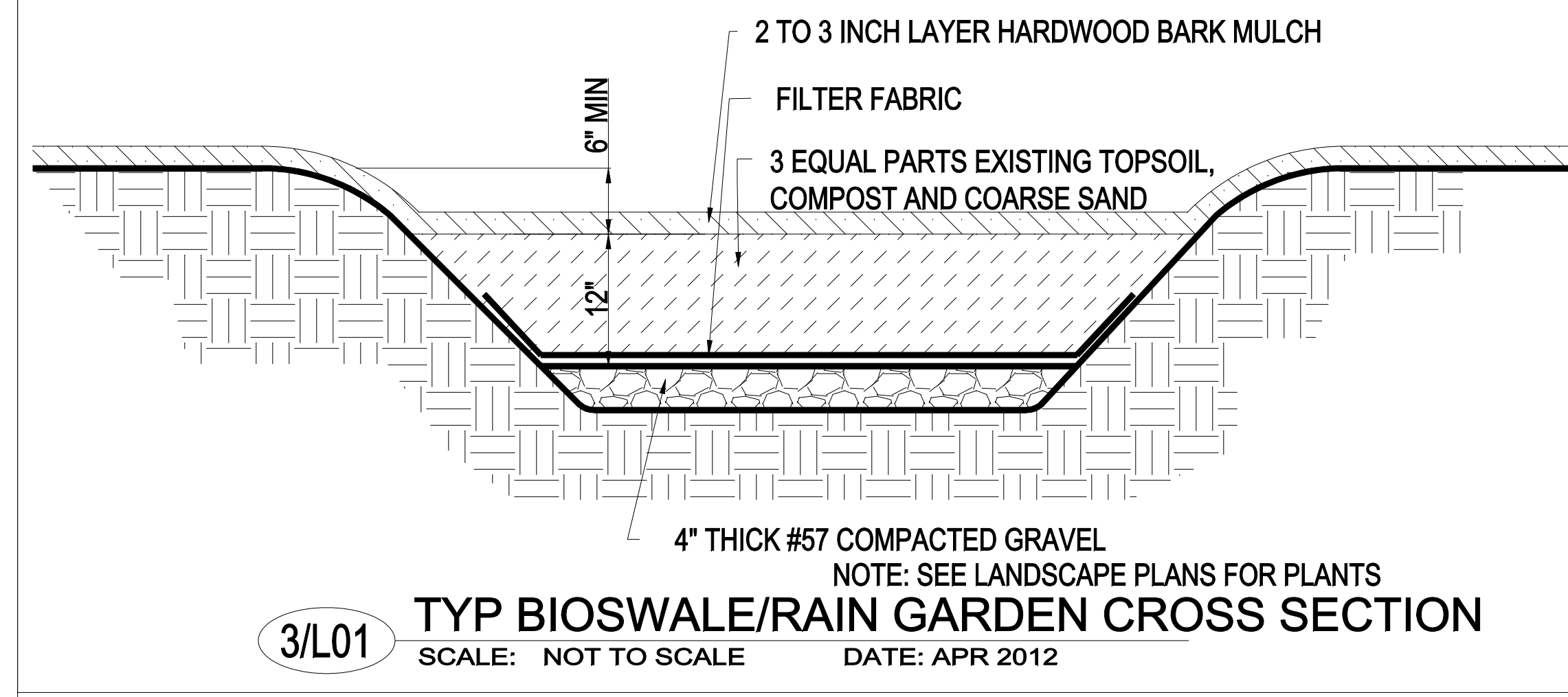


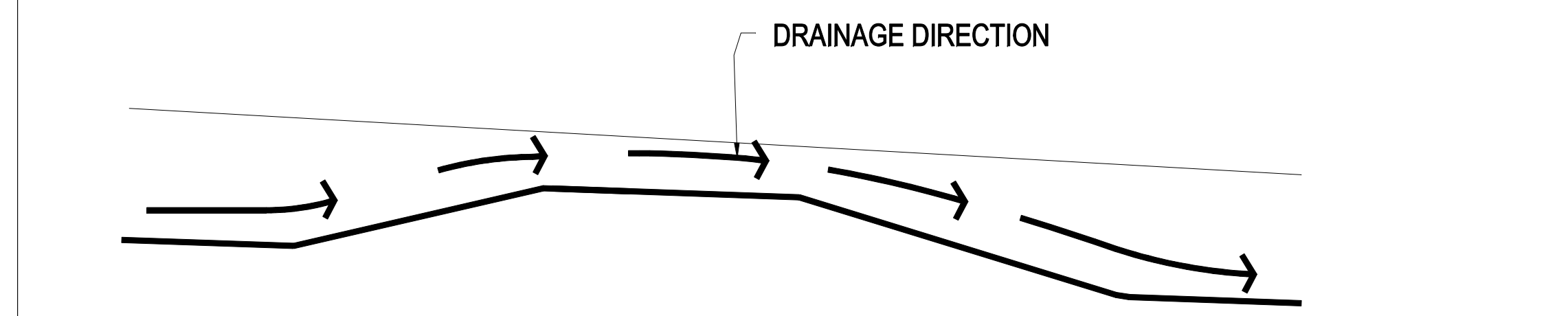
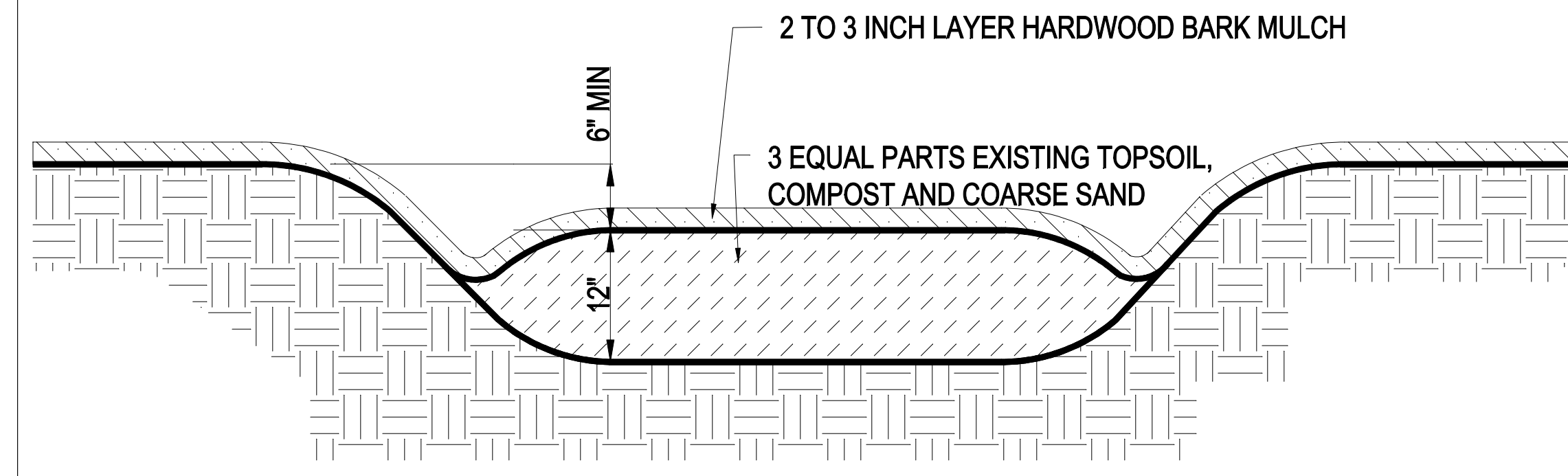
1/L01 **SCHEME B LANDSCAPE PLAN**
 SCALE: 1/8"=1'-0" DATE: APR 2012



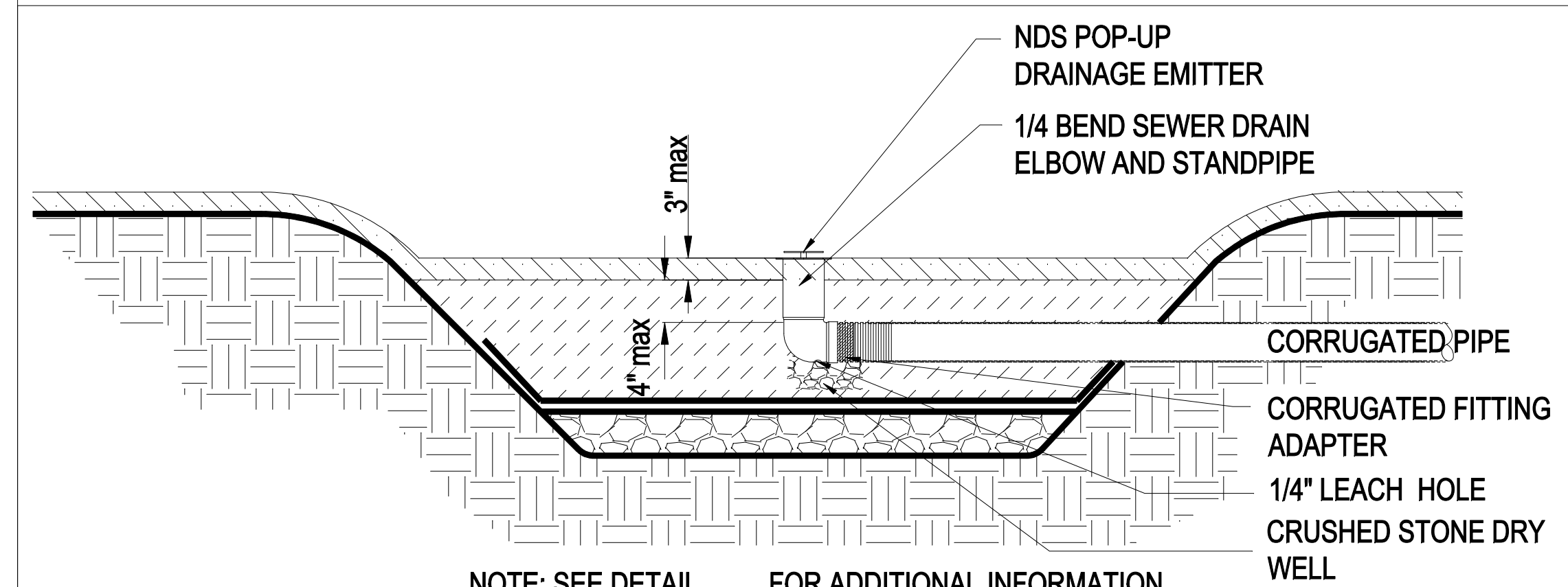
2/L01 **SCHEME B LAYOUT PLAN**
 SCALE: 1/8"=1'-0" DATE: APR 2012



3/L01 **TYP BIOSWALE/RAIN GARDEN CROSS SECTION**
 SCALE: NOT TO SCALE DATE: APR 2012



4/L01 **TYP CHECK DAM CROSS SECTION AND LONG. SECTION**
 SCALE: NOT TO SCALE DATE: APR 2012



5/L01 **TYP CHECK DAM CROSS SECTION AND LONG. SECTION**
 SCALE: NOT TO SCALE DATE: APR 2012

Seal:

Revision:

NO.	DATE	BY	DESCRIPTION

CARLSSON RESIDENCE
MASTER PLAN
ST. LOUIS, MISSOURI

Keyplan:

Scale:

Project No.: **001124**

Drawing Title: **LANDSCAPE PLAN LAYOUT PLAN AND DETAILS**

Designed By: _____ Drawing No. **L01**

Drawn By: _____ Sheet _____ of _____

Checked By: _____

NOT FOR CONSTRUCTION